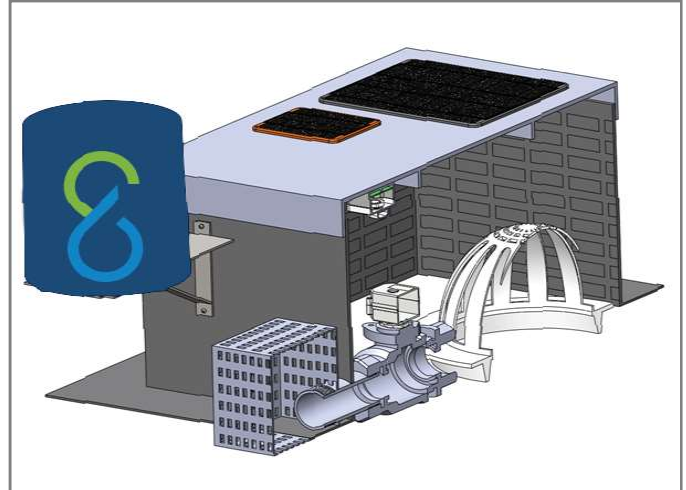


BLU-SMART - ALL CLIMATE MASTER VALVE

The Blu-Smart – All Climate Master Valve is the brain for Blu-Smart retention/flow control systems and may be used in all climates. From the All-Weather Master Valve, real time weather data and volume storage availability is transmitted to the main server. The data is deciphered to open and close valves and/or manage flow rate. The All-Climate system also offers a full array of atmospheric data that may be shared with commissioning agencies for compliance.

- Solar powered
- Wireless interface
- Measures and reports all atmospheric conditions
- Regulates stormwater volume detained and flow rate
- Integrated overflow integral to unit



• Special order product



• Per Unit



• Unlimited Satellite valves per control

TECHNICAL DATA

Materials:

- Stainless Steel and Aluminum

Power:

- DC (solar)

Unit Dimensions:

- 18" x 18" x 12" (26" x 26" x 12" with flanges)

Overflow heights available:

- 2", 4", 6", 8" (Custom heights available)

Valve Sizes Available:

- 2", 3", 4"

Operating Temperatures:

- To -20°F (-28°C)

Maximum Retention:

- Up to 12" (7.48 GAL/SF - 1 CF/SF)

Maximum Flow Rate:

- Programmable to local code requirements

Standard Kit:

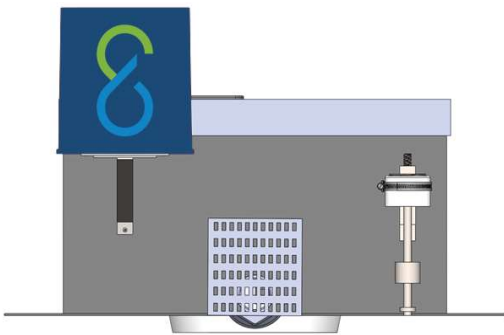
- Drain Box & Cover
- Main Control Box
- Automated Valve
- Liquid Level Sensor
- Atmospheric Controls

Additional Components & Accessories:

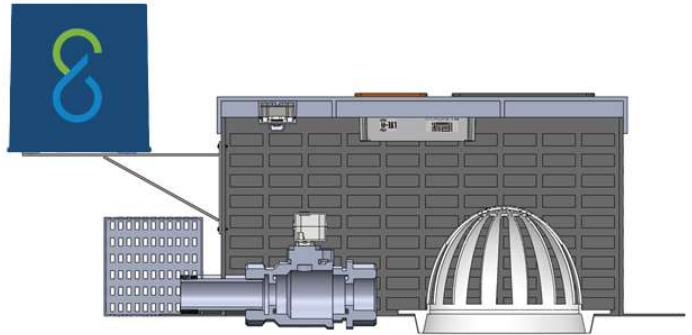
- Constant Monitoring Leak Detection
- Water Level Sensor Valve
- Satellite Valves
- Dashboard
- Mobile Device Application
- Building Operating System Integration

Product # 181-ACH

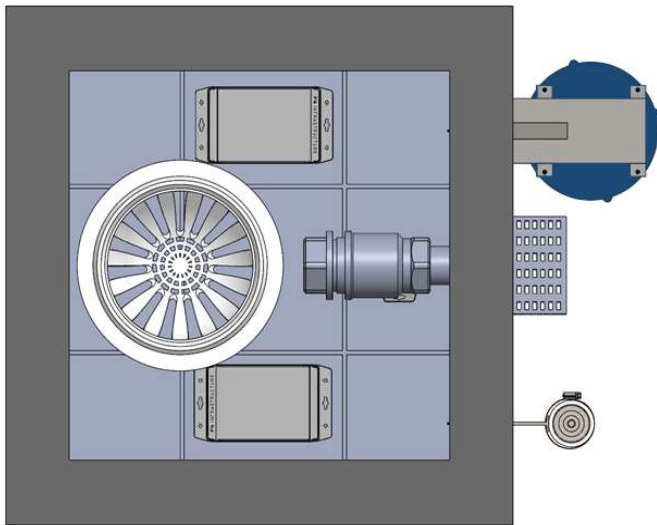
Front View



Side View



Bottom View



Top View

